

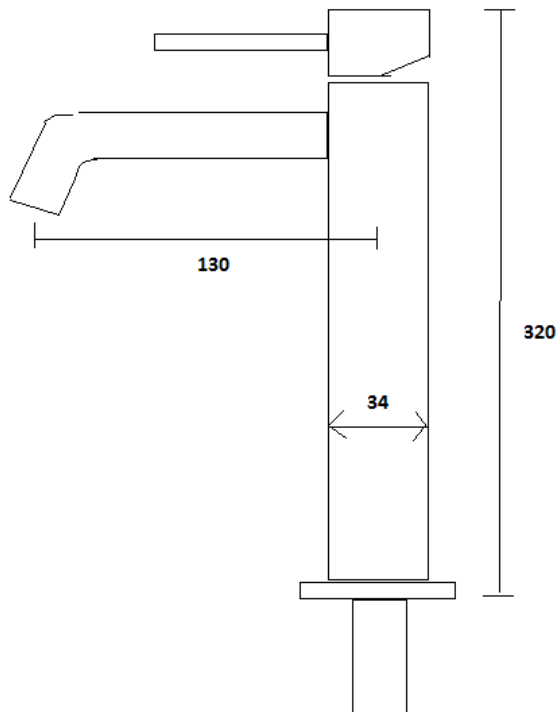
Basin Tap

PRODUCT SPECIFICATIONS

- Dimension : 320(H) x 130 (L) mm
- Material : Brass Chrome



TECHNICAL DRAWING



Copyright © Rigel Technology (S) Pte Ltd. All rights reserved. Terms of Use.